



Product Manual

Barracuda® 7200.10 PATA

**ST3750840A
ST3750640A
ST3500830A
ST3500630A
ST3400820A
ST3400620A
ST3320820A
ST3320620A
ST3300820A
ST3300620A
ST3250820A
ST3250620A
ST3200820A**

**ST3160815A
ST3160215A
ST3120815A
ST3120215A
ST380815A
ST380215A
ST340815A
ST340215A**

©2006-2007, Seagate Technology LLC All rights reserved.
Publication number: 100402369, Rev. F
August 2007

Seagate, Seagate Technology and the Wave logo are registered trademarks of Seagate Technology LLC in the United States and/or other countries. Barracuda, SeaTools and SeaTDD are either trademarks or registered trademarks of Seagate Technology LLC or one of its affiliated companies in the United States and/or other countries. All other trademarks or registered trademarks are the property of their respective owners.

One gigabyte, or GB, equals one billion bytes when referring to hard drive capacity. Accessible capacity may vary depending on operating environment and formatting. Quantitative usage examples for various applications are for illustrative purposes. Actual quantities will vary based on various factors, including file size, file format, features and application software. Seagate reserves the right to change, without notice, product offerings or specifications.

Contents

1.0	Introduction	1
2.0	Drive specifications	3
2.1	Specification summary table	3
2.2	Formatted capacity	20
2.2.1	LBA mode	20
2.3	Default logical geometry	20
2.4	Recording and interface technology	21
2.5	Physical characteristics	21
2.6	Seek time	22
2.7	Start/stop times	22
2.8	Power specifications	22
2.8.1	Power consumption	22
2.8.2	Conducted noise	24
2.8.3	Voltage tolerance	25
2.8.4	Power management modes	25
2.9	Environmental specifications	26
2.9.1	Ambient temperature	26
2.9.2	Temperature gradient	26
2.9.3	Humidity	26
2.9.4	Altitude	26
2.9.5	Shock	27
2.9.6	Vibration	27
2.10	Acoustics	28
2.11	Electromagnetic immunity	29
2.12	Reliability	30
2.12.1	Annualized Failure Rate (AFR) and Mean Time Between Failures (MTBF)	30
2.13	Agency certification	30
2.13.1	Safety certification	30
2.13.2	Electromagnetic compatibility	30
2.13.3	FCC verification	31
2.14	Environmental protection	31
2.14.1	European Union Restriction of Hazardous Substances (RoHS)	32
2.15	Corrosive environment	32
3.0	Configuring and mounting the drive	33
3.1	Handling and static discharge precautions	33
3.2	Breather filter hole precautions	34
3.3	Jumper settings	35
3.3.1	Master/slave configuration	35
3.3.2	Cable-select option	35
3.3.3	Ultra ATA/100 cable	36
3.4	Drive mounting	36
4.0	ATA interface	39
4.1	ATA interface signals and connector pins	39
4.1.1	Supported ATA commands	40
4.1.2	Identify Device command	42
4.1.3	Set Features command	45
4.1.4	S.M.A.R.T. commands	46
5.0	Seagate Technology support services	47

List of Figures

Figure 1.	Typical 5V startup and operation current profile	24
Figure 2.	Typical 12V startup and operation current profile	24
Figure 3.	Breather filter hole location	34
Figure 4.	Master/slave jumper settings	35
Figure 5.	Ultra ATA cable connectors	36
Figure 6.	Mounting dimensions for 200-750 GB models	37
Figure 7.	Mounting dimensions for 40-160 GB models	38
Figure 8.	I/O pins and supported ATA signals	39

1.0 Introduction

This manual describes the functional, mechanical and interface specifications for the following Seagate® Barracuda® 7200.10 PATA model drives:

ST3750840A	ST3320820A	ST3200820A	ST380215A
ST3750640A	ST3320620A	ST3160815A	ST340815A
ST3500830A	ST3300820A	ST3160215A	ST340215A
ST3500630A	ST3300620A	ST3120815A	
ST3400820A	ST3250820A	ST3120215A	
ST3400620A	ST3250620A	ST380815A	

These drives provide the following key features:

- 7,200-RPM spindle speed
- High instantaneous (burst) data transfer rates (up to 100 Mbytes per second) using Ultra DMA mode 5.
- Perpendicular recording and Tunneling Magnetoresistive (TMR) recording heads for increased areal density.
- State-of-the-art cache and on-the-fly error-correction algorithms.
- Full-track multiple-sector transfer capability without local processor intervention.
- Quiet operation.
- SeaTools diagnostic software performs a drive self-test that eliminates unnecessary drive returns.
- Support for S.M.A.R.T. drive monitoring and reporting.
- Support for Read Multiple and Write Multiple commands.
- Support for autodetection of master/slave drives that use cable select (CSEL).

2.0 Drive specifications

Unless otherwise noted, all specifications are measured under ambient conditions, at 25°C, and nominal power. For convenience, the phrases *the drive* and *this drive* are used throughout this manual to indicate the following drive models:

ST3750840A	ST3320820A	ST3200820A	ST380215A
ST3750640A	ST3320620A	ST3160815A	ST340815A
ST3500830A	ST3300820A	ST3160215A	ST340215A
ST3500630A	ST3300620A	ST3120815A	
ST3400820A	ST3250820A	ST3120215A	
ST3400620A	ST3250620A	ST380815A	

2.1 Specification summary table

The specifications listed in the table below are for quick reference. For details on specification measurement or definition, see the appropriate section of this manual.

Table 1: Drive specifications summary for 750 and 500 Gbyte models

Drive specification	ST3750840A	ST3750640A	ST3500830A	ST3500630A
Formatted Gbytes (512 bytes/sector)*	750		500	
Guaranteed sectors	1,465,149,168		976,773,168	
Heads	8		6	
Discs	4		3	
Bytes per sector	512			
Default sectors per track	63			
Default read/write heads	16			
Default cylinders	16,383			
Recording density, KBPI (kbits/in max)	926		813	
Track density, KTPI (ktracks/in max)	145			
Areal density, (Gbits/in ²) min/max	128.2		114.4	
Spindle speed (RPM)	7,200			
Internal data transfer rate (Mbits/sec max)	1,030			
Sustained data transfer rate (Mbytes/sec max)	78		72	
I/O data-transfer rate (Mbytes/sec max)	100			
ATA data-transfer modes supported	PIO modes 0–4 Multiword DMA modes 0–2 Ultra DMA modes 0–5			
Cache buffer	8 Mbytes	16 Mbytes	8 Mbytes	16 Mbytes
Height (mm max)	26.1 mm (1.028 inches)			
Width (mm)	101.6 mm (4.000 inches) +/- 0.010 inches			
Length (mm max)	146.99 mm (5.787 inches)			
Weight (typical)	720 grams		635 grams	
Average latency (msec)	4.16			
Power-on to ready (sec max)	15 sec			
Standby to ready (sec max)	15 sec			
Track-to-track seek time (msec typical)	<0.8 read; <1.0 write			
Average seek, read (msec typical)	<11.0			
Average seek, write (msec typical)	<12.0			
Startup current (max) 12V (peak)	2.8 amps			
Voltage tolerance (including noise)	5V ± 5% 12V ± 10%			
Ambient temperature	0° to 60°C (operating) –40° to 70°C (nonoperating)			
Temperature gradient (°C per hour max)	20°C (operating) 30°C (nonoperating)			
Relative humidity	5% to 90% (operating) 5% to 95% (nonoperating)			
Relative humidity gradient	30% per hour max			
Wet bulb temperature (°C max)	37.7 (operating) 37.7 (nonoperating)			
Altitude, operating	–60.96 m to 3,048 m (–200 ft. to 10,000+ ft.)			
Altitude, nonoperating (below mean sea level, max)	–60.96 m to 12,192 m (–200 ft. to 40,000+ ft.)			
Operational Shock (max at 2 msec)	68 Gs			
Non-Operational Shock (max at 2 msec)	300 Gs			

Drive specification	ST3750840A	ST3750640A	ST3500830A	ST3500630A
Vibration, operating	5–22 Hz: 0.25 Gs, Limited displacement 22–350 Hz: 0.50 Gs 350–500 Hz:: 0.25 Gs			
Vibration, nonoperating	5–22 Hz: 0.25 Gs, Limited displacement 22–350 Hz: 5.0 Gs 350–500 Hz:: 1.0 Gs			
Drive acoustics, sound power (bels)				
Idle**	2.8 (typical) 3.0 (max)			
Quiet seek	3.2 (typical) 3.4 (max)			
Nonrecoverable read errors	1 per 10 ¹⁴ bits read			
Annualized Failure Rate (AFR)	0.34%			
Warranty	5 years on distribution units. To determine the warranty for a specific drive, use a web browser to access the following web page: www.seagate.com/support/service/ From this page, click on the “Verify Your Warranty” link. You will be asked to provide the drive serial number, model number (or part number) and country of purchase. The system will display the warranty information for your drive.			
Contact start-stop cycles (25°C, 50% rel. humidity)	50,000			

Table 2: Drive specifications summary for 400 and 320 Gbyte models

Drive specification	ST3400820A	ST3400620A	ST3320820A	ST3320620A
Formatted Gbytes (512 bytes/sector)*	400		320	
Guaranteed sectors	781,422,768		625,142,448	
Heads	5		4	
Discs	3		2	
Bytes per sector	512			
Default sectors per track	63			
Default read/write heads	16			
Default cylinders	16,383			
Recording density, KBPI (kbits/in max)	781			
Track density, KTPI (ktracks/in avg.)	145			
Areal density, (Gbits/in ² avg)	128.2		114.4	
Spindle speed (RPM)	7,200			
Internal data transfer rate (Mbytes/sec max)	72			
Sustained data transfer rate (Mbits/sec max)	1,030			
I/O data-transfer rate (Mbytes/sec max)	100			
ATA data-transfer modes supported	PIO modes 0–4 Multiword DMA modes 0–2 Ultra DMA modes 0–5			
Cache buffer	8 Mbytes	16 Mbytes	8 Mbytes	16 Mbytes
Height (mm max)	26.1 mm (1.028 inches)			
Width (mm max)	101.6 mm (4.000 inches) +/- 0.010 inches			
Length (mm max)	146.99 mm (5.787 inches)			
Weight (typical)	635 grams			
Average latency	4.16 msec			
Power-on to ready (max)	15 sec			
Standby to ready (max)	15 sec			
Track-to-track seek time (msec typical)	<0.8 (read), <1.0 (write)			
Average seek, read (msec typical)	<11.0			
Average seek, write (msec typical)	<12.0			
Startup current (typical) 12V (peak)	2.8 amps			
Voltage tolerance (including noise)	5V ± 5% 12V ± 10%			
Ambient temperature	0° to 60°C (operating) –40° to 70°C (nonoperating)			
Temperature gradient (°C per hour max)	20°C (operating) 30°C (nonoperating)			
Relative humidity	5% to 90% (operating) 5% to 95% (nonoperating)			
Relative humidity gradient	30% per hour max			
Wet bulb temperature (°C max)	37.7 (operating) 37.7 (nonoperating)			
Altitude, operating	–60.96 m to 3,048 m (–200 ft. to 10,000+ ft.)			
Altitude, nonoperating (below mean sea level, max)	–60.96 m to 12,192 m (–200 ft. to 40,000+ ft.)			
Operational Shock (max at 2 msec)	68 Gs			
Non-Operational Shock (Gs max at 2 msec)	300 Gs			

Drive specification	ST3400820A	ST3400620A	ST3320820A	ST3320620A
Vibration, operating	5–22 Hz: 0.25 Gs, Limited displacement 22–350 Hz: 0.50 Gs 350–500 Hz:: 0.25 Gs			
Vibration, nonoperating	5–22 Hz: 0.25 Gs, Limited displacement 22–350 Hz: 5.0 Gs 350–500 Hz:: 1.0 Gs			
Drive acoustics, sound power (bels)				
Idle**	2.7 (typical) 3.0 (max)			
Quiet seek	3.0 (typical) 3.4 (max)			
Nonrecoverable read errors	1 per 10 ¹⁴ bits read			
Annualized Failure Rate (AFR)	0.34%			
Warranty	5 years on distribution units. To determine the warranty for a specific drive, use a web browser to access the following web page: www.seagate.com/support/service/ From this page, click on the “Verify Your Warranty” link. You will be asked to provide the drive serial number, model number (or part number) and country of purchase. The system will display the warranty information for your drive.			
Contact start-stop cycles (25°C, 50% rel. humidity)	50,000			

Table 3: Drive specifications summary for 300 and 250 Gbyte models

Drive specification	ST3300820A	ST3300620A	ST3250820A	ST3250620A
Formatted Gbytes (512 bytes/sector)*	300		250	
Guaranteed sectors	586,072,368		488,397,168	
Heads	3			
Discs	2			
Bytes per sector	512			
Default sectors per track	63			
Default read/write heads	16			
Default cylinders	16,383			
Recording density, KBPI (kbits/in max)	781		813	
Track density, KTPI (ktracks/in avg.)	145			
Areal density, (Gbits/in ² avg)	114.4			
Spindle speed (RPM)	7,200			
Internal data transfer rate (Mbits/sec max)	1,030			
Sustained data transfer rate OD (Mbytes/sec max)	72			
I/O data-transfer rate (Mbytes/sec max)	100			
ATA data-transfer modes supported	PIO modes 0–4 Multiword DMA modes 0–2 Ultra DMA modes 0–5			
Cache buffer	8 Mbytes	16 Mbytes	8 Mbytes	16 Mbytes
Height (mm max)	26.1 mm (1.028 inches)			
Width (mm max)	101.6 mm (4.000 inches) +/- 0.010 inches			
Length (mm max)	146.99 mm (5.787 inches)			
Weight (typical)	600 grams			
Average latency (msec)	4.16			
Power-on to ready (sec max)	11 sec			
Standby to ready (sec max)	15 sec			
Track-to-track seek time (msec typical)	<0.8 (read), <1.0 (write)			
Average seek, read (msec typical)	<11.0			
Average seek, write (msec typical)	<12.0			
Startup current (typical) 12V (peak)	2.8 amps			
Voltage tolerance (including noise)	5V ± 5% 12V ± 10%			
Ambient temperature	0° to 60°C (operating) –40° to 70°C (nonoperating)			
Temperature gradient (°C per hour max)	20°C (operating) 30°C (nonoperating)			
Relative humidity	5% to 90% (operating) 5% to 95% (nonoperating)			
Relative humidity gradient	30% per hour max			
Wet bulb temperature (°C max)	37.7 (operating) 37.7 (nonoperating)			
Altitude, operating	–60.96 m to 3,048 m (–200 ft. to 10,000+ ft.)			
Altitude, nonoperating (below mean sea level, max)	–60.96 m to 12,192 m (–200 ft. to 40,000+ ft.)			
Operational Shock (Gs max at 2 msec)	68			
Non-Operational Shock (Gs max at 2 msec)	350 Gs			

Drive specification	ST3300820A	ST3300620A	ST3250820A	ST3250620A
Vibration, operating	5–22 Hz: 0.25 Gs, Limited displacement 22–350 Hz: 0.50 Gs 350–500 Hz:: 0.25 Gs			
Vibration, nonoperating	5–22 Hz: 0.25 Gs, Limited displacement 22–350 Hz: 5.0 Gs 350–500 Hz:: 1.0 Gs			
Drive acoustics, sound power (bels)				
Idle**	2.5 (typical) 2.8 (max)			
Quiet seek	3.0 (typical) 3.1 (max)			
Nonrecoverable read errors	1 per 10 ¹⁴ bits read			
Annualized Failure Rate (AFR)	0.34%			
Warranty	5 years on distribution units. To determine the warranty for a specific drive, use a web browser to access the following web page: www.seagate.com/support/service/ From this page, click on the “Verify Your Warranty” link. You will be asked to provide the drive serial number, model number (or part number) and country of purchase. The system will display the warranty information for your drive.			
Contact start-stop cycles (25°C, 50% rel. humidity)	50,000			

Table 4: Drive specifications summary for the 200 Gbyte model

Drive specification	ST3200820A
Formatted Gbytes (512 bytes/sector)*	200
Guaranteed sectors	390,721,968
Heads	3
Discs	2
Bytes per sector	512
Default sectors per track	63
Default read/write heads	16
Default cylinders	16,383
Recording density, KBPI (kbits/in max)	781
Track density, KTPI (ktracks/in avg.)	145
Areal density, (Gbits/in ² avg)	114.4
Spindle speed (RPM)	7,200
Internal data transfer rate (Mbits/sec max)	1,030
Sustained data transfer rate OD (Mbytes/sec max)	72
I/O data-transfer rate (Mbytes/sec max)	100
ATA data-transfer modes supported	PIO modes 0–4 Multiword DMA modes 0–2 Ultra DMA modes 0–5
Cache buffer	8 Mbytes
Height (mm max)	26.1 mm (1.028 inches)
Width (mm max)	101.6 mm (4.000 inches) +/- 0.010 inches
Length (mm max)	146.99 mm (5.787 inches)
Weight (typical)	600 grams
Average latency (msec)	4.16
Power-on to ready (sec max)	11 sec
Standby to ready (sec max)	15 sec
Track-to-track seek time (msec typical)	<0.8 (read), <1.0 (write)
Average seek, read (msec typical)	<11.0
Average seek, write (msec typical)	<12.0
Startup current (typical) 12V (peak)	2.8 amps
Voltage tolerance (including noise)	5V ± 5% 12V ± 10%
Ambient temperature	0° to 60°C (operating) –40° to 70°C (nonoperating)
Temperature gradient (°C per hour max)	20°C (operating) 30°C (nonoperating)
Relative humidity	5% to 90% (operating) 5% to 95% (nonoperating)
Relative humidity gradient	30% per hour max
Wet bulb temperature (°C max)	37.7 (operating) 37.7 (nonoperating)
Altitude, operating	–60.96 m to 3,048 m (–200 ft. to 10,000+ ft.)
Altitude, nonoperating (below mean sea level, max)	–60.96 m to 12,192 m (–200 ft. to 40,000+ ft.)
Operational Shock (Gs max at 2 msec)	68
Non-Operational Shock (Gs max at 2 msec)	350 Gs

Drive specification	ST3200820A
Vibration, operating	5–22 Hz: 0.25 Gs, Limited displacement 22–350 Hz: 0.50 Gs 350–500 Hz:: 0.25 Gs
Vibration, nonoperating	5–22 Hz: 0.25 Gs, Limited displacement 22–350 Hz: 5.0 Gs 350–500 Hz:: 1.0 Gs
Drive acoustics, sound power (bels)	
Idle**	2.5 (typical) 2.8 (max)
Quiet seek	3.0 (typical) 3.1 (max)
Nonrecoverable read errors	1 per 10 ¹⁴ bits read
Annualized Failure Rate (AFR)	0.34%
Warranty	5 years on distribution units. To determine the warranty for a specific drive, use a web browser to access the following web page: www.seagate.com/support/service/ From this page, click on the “Verify Your Warranty” link. You will be asked to provide the drive serial number, model number (or part number) and country of purchase. The system will display the warranty information for your drive.
Contact start-stop cycles (25°C, 50% rel. humidity)	50,000

Table 5: Drive specifications summary for the 160 Gbyte models

Drive specification	ST3160815A	ST3160215A
Formatted Gbytes (512 bytes/sector)*	160	
Guaranteed sectors	312,581,808	
Heads	2	
Discs	1	
Bytes per sector	512	
Default sectors per track	63	
Default read/write heads	16	
Default cylinders	16,383	
Recording density, KBPI (kbits/in max)	824	
Track density, KTPI (ktracks/in avg.)	137.259	
Areal density, (Gbits/in ² avg)	101	
Spindle speed (RPM)	7,200	
Internal data transfer rate (Mbits/sec max)	930	
Sustained data transfer rate OD (Mbytes/sec max)	78	
I/O data-transfer rate (Mbytes/sec max)	100	
ATA data-transfer modes supported	PIO modes 0–4 Multiword DMA modes 0–2 Ultra DMA modes 0–5	
Cache buffer	8 Mbytes	2 Mbytes
Height (mm max)	19.99 mm (0.787 inches)	
Width (mm max)	101.6 mm (4.000 inches) +/- 0.010 inches	
Length (mm max)	146.99 mm (5.787 inches)	
Weight (typical)	380 grams	
Average latency (msec)	4.16	
Power-on to ready (sec max)	7.9 sec	
Standby to ready (sec max)	7.9 sec	
Track-to-track seek time (msec typical)	<1.0 (read), <1.2 (write)	
Average seek, read (msec typical)	<11.0	
Average seek, write (msec typical)	<12.0	
Startup current (typical) 12V (peak)	2.8 amps	
Voltage tolerance (including noise)	5V ± 5% 12V ± 10%	
Ambient temperature	0° to 60°C (operating) –40° to 70°C (nonoperating)	
Temperature gradient (°C per hour max)	20°C (operating) 30°C (nonoperating)	
Relative humidity	5% to 90% (operating) 5% to 95% (nonoperating)	
Relative humidity gradient	30% per hour max	
Wet bulb temperature (°C max)	37.7 (operating) 40 (nonoperating)	
Altitude, operating	–60.96 m to 3,048 m (–200 ft. to 10,000+ ft.)	
Altitude, nonoperating (below mean sea level, max)	–60.96 m to 12,192 m (–200 ft. to 40,000+ ft.)	
Operational Shock (Gs max at 2 msec)	63	
Non-Operational Shock (Gs max at 2 msec)	350 Gs	

Drive specification	ST3160815A	ST3160215A
Vibration, operating	5–22 Hz: 0.25 Gs, Limited displacement 22–350 Hz: 0.50 Gs 350–500 Hz:: 0.25 Gs	
Vibration, nonoperating	5–22 Hz: 0.25 Gs, Limited displacement 22–350 Hz: 5.0 Gs 350–500 Hz:: 1.0 Gs	
Drive acoustics, sound power (bels)		
Idle**	2.8 (typical) 3.0 (max)	
Quiet seek	3.0 (typical) 3.2 (max)	
Nonrecoverable read errors	1 per 10 ¹⁴ bits read	
Annualized Failure Rate (AFR)	0.34%	
Warranty	5 years on distribution units. To determine the warranty for a specific drive, use a web browser to access the following web page: www.seagate.com/support/service/ From this page, click on the “Verify Your Warranty” link. You will be asked to provide the drive serial number, model number (or part number) and country of purchase. The system will display the warranty information for your drive.	
Contact start-stop cycles (25°C, 50% rel. humidity)	50,000	

Table 6: Drive specifications summary for the 120 Gbyte models

Drive specification	ST3120815A	ST3120215A
Formatted Gbytes (512 bytes/sector)*	120	
Guaranteed sectors	234,441,648	
Heads	2	
Discs	1	
Bytes per sector	512	
Default sectors per track	63	
Default read/write heads	16	
Default cylinders	16,383	
Recording density, KBPI (kbits/in max)	824	
Track density, KTPI (ktracks/in avg.)	137.259	
Areal density, (Gbits/in ² avg)	101	
Spindle speed (RPM)	7,200	
Internal data transfer rate (Mbits/sec max)	930	
Sustained data transfer rate OD (Mbytes/sec max)	78	
I/O data-transfer rate (Mbytes/sec max)	100	
ATA data-transfer modes supported	PIO modes 0–4 Multiword DMA modes 0–2 Ultra DMA modes 0–5	
Cache buffer	8 Mbytes	2 Mbytes
Height (mm max)	19.99 mm (0.787 inches)	
Width (mm max)	101.6 mm (4.000 inches) +/- 0.010 inches	
Length (mm max)	146.99 mm (5.787 inches)	
Weight (typical)	380 grams	
Average latency (msec)	4.16	
Power-on to ready (sec max)	7.9 sec	
Standby to ready (sec max)	7.9 sec	
Track-to-track seek time (msec typical)	<1.0 (read), <1.2 (write)	
Average seek, read (msec typical)	<11.0	
Average seek, write (msec typical)	<12.0	
Startup current (typical) 12V (peak)	2.8 amps	
Voltage tolerance (including noise)	5V ± 5% 12V ± 10%	
Ambient temperature	0° to 60°C (operating) –40° to 75°C (nonoperating)	
Temperature gradient (°C per hour max)	20°C (operating) 30°C (nonoperating)	
Relative humidity	5% to 90% (operating) 5% to 95% (nonoperating)	
Relative humidity gradient	30% per hour max	
Wet bulb temperature (°C max)	37.7 (operating) 40 (nonoperating)	
Altitude, operating	–60.96 m to 3,048 m (–200 ft. to 10,000+ ft.)	
Altitude, nonoperating (below mean sea level, max)	–60.96 m to 12,192 m (–200 ft. to 40,000+ ft.)	
Operational Shock (Gs max at 2 msec)	63	
Non-Operational Shock (Gs max at 2 msec)	350 Gs	

Drive specification	ST3120815A	ST3120215A
Vibration, operating	5–22 Hz: 0.25 Gs, Limited displacement 22–350 Hz: 0.50 Gs 350–500 Hz:: 0.25 Gs	
Vibration, nonoperating	5–22 Hz: 0.25 Gs, Limited displacement 22–350 Hz: 5.0 Gs 350–500 Hz:: 1.0 Gs	
Drive acoustics, sound power (bels)		
Idle**	2.8 (typical) 3.0 (max)	
Quiet seek	3.0 (typical) 3.2 (max)	
Nonrecoverable read errors	1 per 10 ¹⁴ bits read	
Annualized Failure Rate (AFR)	0.34%	
Warranty	5 years on distribution units. To determine the warranty for a specific drive, use a web browser to access the following web page: www.seagate.com/support/service/ From this page, click on the “Verify Your Warranty” link. You will be asked to provide the drive serial number, model number (or part number) and country of purchase. The system will display the warranty information for your drive.	
Contact start-stop cycles (25°C, 50% rel. humidity)	50,000	

Table 7: Drive specifications summary for the 80 Gbyte models

Drive specification	ST380815A	ST380215A
Formatted Gbytes (512 bytes/sector)*	80	
Guaranteed sectors	156,301,488	
Heads	1	
Discs	1	
Bytes per sector	512	
Default sectors per track	63	
Default read/write heads	16	
Default cylinders	16,383	
Recording density, KBPI (kbits/in max)	824	
Track density, KTPI (ktracks/in avg.)	137.259	
Areal density, (Gbits/in ² avg)	101	
Spindle speed (RPM)	7,200	
Internal data transfer rate (Mbits/sec max)	930	
Sustained data transfer rate OD (Mbytes/sec max)	78	
I/O data-transfer rate (Mbytes/sec max)	100	
ATA data-transfer modes supported	PIO modes 0–4 Multiword DMA modes 0–2 Ultra DMA modes 0–5	
Cache buffer	8 Mbytes	2 Mbytes
Height (mm max)	19.99 mm (0.787 inches)	
Width (mm max)	101.6 mm (4.000 inches) +/- 0.010 inches	
Length (mm max)	146.99 mm (5.787 inches)	
Weight (typical)	365 grams	
Average latency (msec)	4.16	
Power-on to ready (sec max)	7.9 sec	
Standby to ready (sec max)	7.9 sec	
Track-to-track seek time (msec typical)	<1.0 (read), <1.2 (write)	
Average seek, read (msec typical)	<11.0	
Average seek, write (msec typical)	<12.0	
Startup current (typical) 12V (peak)	2.8 amps	
Voltage tolerance (including noise)	5V ± 5% 12V ± 10%	
Ambient temperature	0° to 60°C (operating) –40° to 75°C (nonoperating)	
Temperature gradient (°C per hour max)	20°C (operating) 30°C (nonoperating)	
Relative humidity	5% to 90% (operating) 5% to 95% (nonoperating)	
Relative humidity gradient	30% per hour max	
Wet bulb temperature (°C max)	37.7 (operating) 40 (nonoperating)	
Altitude, operating	–60.96 m to 3,048 m (–200 ft. to 10,000+ ft.)	
Altitude, nonoperating (below mean sea level, max)	–60.96 m to 12,192 m (–200 ft. to 40,000+ ft.)	
Operational Shock (Gs max at 2 msec)	63	
Non-Operational Shock (Gs max at 2 msec)	350 Gs	

Drive specification	ST380815A	ST380215A
Vibration, operating	5–22 Hz: 0.25 Gs, Limited displacement 22–350 Hz: 0.50 Gs 350–500 Hz:: 0.25 Gs	
Vibration, nonoperating	5–22 Hz: 0.25 Gs, Limited displacement 22–350 Hz: 5.0 Gs 350–500 Hz:: 1.0 Gs	
Drive acoustics, sound power (bels)		
Idle**	2.8 (typical) 3.0 (max)	
Quiet seek	3.0 (typical) 3.2 (max)	
Nonrecoverable read errors	1 per 10 ¹⁴ bits read	
Annualized Failure Rate (AFR)	0.34%	
Warranty	5 years on distribution units. To determine the warranty for a specific drive, use a web browser to access the following web page: www.seagate.com/support/service/ From this page, click on the “Verify Your Warranty” link. You will be asked to provide the drive serial number, model number (or part number) and country of purchase. The system will display the warranty information for your drive.	
Contact start-stop cycles (25°C, 50% rel. humidity)	50,000	

Table 8: Drive specifications summary for the 40 Gbyte models

Drive specification	ST340815A	ST340215A
Formatted Gbytes (512 bytes/sector)*	40	
Guaranteed sectors	78,165,360	
Heads	1	
Discs	1	
Bytes per sector	512	
Default sectors per track	63	
Default read/write heads	16	
Default cylinders	16,383	
Recording density, KBPI (kbits/in max)	824	
Track density, KTPI (ktracks/in avg.)	137.259	
Areal density, (Gbits/in ² avg)	101	
Spindle speed (RPM)	7,200	
Internal data transfer rate (Mbits/sec max)	930	
Sustained data transfer rate OD (Mbytes/sec max)	78	
I/O data-transfer rate (Mbytes/sec max)	100	
ATA data-transfer modes supported	PIO modes 0–4 Multiword DMA modes 0–2 Ultra DMA modes 0–5	
Cache buffer	8 Mbytes	2 Mbytes
Height (mm max)	19.99 mm (0.787 inches)	
Width (mm max)	101.6 mm (4.000 inches) +/- 0.010 inches	
Length (mm max)	146.99 mm (5.787 inches)	
Weight (typical)	365 grams	
Average latency (msec)	4.16	
Power-on to ready (sec max)	7.9 sec	
Standby to ready (sec max)	7.9 sec	
Track-to-track seek time (msec typical)	<1.0 (read), <1.2 (write)	
Average seek, read (msec typical)	<11.0	
Average seek, write (msec typical)	<12.0	
Startup current (typical) 12V (peak)	2.8 amps	
Voltage tolerance (including noise)	5V ± 5% 12V ± 10%	
Ambient temperature	0° to 60°C (operating) –40° to 75°C (nonoperating)	
Temperature gradient (°C per hour max)	20°C (operating) 30°C (nonoperating)	
Relative humidity	5% to 90% (operating) 5% to 95% (nonoperating)	
Relative humidity gradient	30% per hour max	
Wet bulb temperature (°C max)	37.7 (operating) 40 (nonoperating)	
Altitude, operating	–60.96 m to 3,048 m (–200 ft. to 10,000+ ft.)	
Altitude, nonoperating (below mean sea level, max)	–60.96 m to 12,192 m (–200 ft. to 40,000+ ft.)	
Operational Shock (Gs max at 2 msec)	63	
Non-Operational Shock (Gs max at 2 msec)	350 Gs	

Drive specification	ST340815A	ST340215A
Vibration, operating	5–22 Hz: 0.25 Gs, Limited displacement 22–350 Hz: 0.50 Gs 350–500 Hz:: 0.25 Gs	
Vibration, nonoperating	5–22 Hz: 0.25 Gs, Limited displacement 22–350 Hz: 5.0 Gs 350–500 Hz:: 1.0 Gs	
Drive acoustics, sound power (bels)		
Idle**	2.8 (typical) 3.0 (max)	
Quiet seek	3.0 (typical) 3.2 (max)	
Nonrecoverable read errors	1 per 10 ¹⁴ bits read	
Annualized Failure Rate (AFR)	0.34%	
Warranty	5 years on distribution units. To determine the warranty for a specific drive, use a web browser to access the following web page: www.seagate.com/support/service/ From this page, click on the “Verify Your Warranty” link. You will be asked to provide the drive serial number, model number (or part number) and country of purchase. The system will display the warranty information for your drive.	
Contact start-stop cycles (25°C, 50% rel. humidity)	50,000	

*One Gbyte equals one billion bytes when referring to hard drive capacity. Accessible capacity may vary depending on operating environment and formatting.

**During periods of drive idle, some offline activity may occur according to the S.M.A.R.T. specification, which may increase acoustic and power to operational levels.

2.2 Formatted capacity

Model	Formatted capacity*	Guaranteed sectors	Bytes per sector
ST3750840A	750 Gbytes	1,465,149,168	512
ST3750640A	750 Gbytes	1,465,149,168	512
ST3500830A	500 Gbytes	976,773,168	512
ST3500630A	500 Gbytes	976,773,168	512
ST3400820A	400 Gbytes	781,422,768	512
ST3400620A	400 Gbytes	781,422,768	512
ST3320820A	320 Gbytes	625,142,448	512
ST3320620A	320 Gbytes	625,142,448	512
ST3300820A	300 Gbytes	586,072,368	512
ST3300620A	300 Gbytes	586,072,368	512
ST3250820A	250 Gbytes	488,397,168	512
ST3250620A	250 Gbytes	488,397,168	512
ST3200820A	200 Gbytes	390,721,968	512
ST3160815A	160 Gbytes	312,581,808	512
ST3160215A	160 Gbytes	312,581,808	512
ST3120815A	120 Gbytes	234,441,648	512
ST3120215A	120 Gbytes	234,441,648	512
ST380815A	80 Gbytes	156,301,488	512
ST380215A	80 Gbytes	156,301,488	512
ST340815A	40 Gbytes	78,165,360	512
ST340215A	40 Gbytes	78,165,360	512

*One Gbyte equals one billion bytes when referring to hard drive capacity. Accessible capacity may vary depending on operating environment and formatting.

2.2.1 LBA mode

When addressing these drives in LBA mode, all blocks (sectors) are consecutively numbered from 0 to $n-1$, where n is the number of guaranteed sectors as defined above.

See Section 4.1.2, "Identify Device command" (words 60-61 and 100-103) for additional information about 48-bit addressing support of drives with capacities over 137 Gbytes.

2.3 Default logical geometry

Cylinders	Read/write heads	Sectors per track
16,383	16	63

2.4 Recording and interface technology

	Model capacity											
	750	500	400	320	300	250	200	160	120	80	40	
Interface	ATA											
Recording method	Perpendicular											
Recording density, KBPI (kbits/inch max)	926	813	781			813		824				
Track density, KTPI (ktracks/inch avg)	145							137,259				
Areal density (Gbits/inch ² avg)	128.2	114.4						101				
Spindle speed (RPM) (± 0.2%)	7,200											
Internal data transfer rate (Mbits/sec max)	1,030							930				
Sustained data transfer rate (Mbytes/sec max)	78	72						78				
I/O data-transfer rate (Mbytes/sec max)	100 (Ultra DMA mode 5)											

2.5 Physical characteristics

Maximum height (200 - 750 Gbytes models)	26.1 mm (1.028 inches)
Maximum height (40 - 160 Gbyte models)	19.99 mm (0.787 inches)
Maximum width	101.6 mm (4.000 +/- 0.010 inches)
Maximum length	146.99 mm (5.787 inches)
Typical weight	
ST3750840A and ST3750640A	720 grams (1.59 lbs)
ST3500830A and ST3500630A	635 grams (1.4 lbs)
ST3400820A and ST3400620A	635 grams (1.4 lbs)
ST3320820A and ST3320620A	635 grams (1.4 lbs)
ST3300820A and ST3300620A	600 grams (1.32 lbs)
ST3250820A, ST3250620A and ST3200820A	600 grams (1.32 lbs)
ST3160815A, ST3160215A, ST3120815A and ST3120215A	380 grams (0.838 lbs)
ST380815A, ST380215A, ST340815A and ST340215A	365 grams (0.805 lbs)
Cache Size	
ST3750640A, ST3500630A, ST3400620A, ST3320620A, ST3300620A and ST3250620A	16 Mbytes
ST3750840A, ST3500830A, ST3400820A, ST3320820A, ST3300820A, ST3250820A, ST3200820A, ST3160815A, ST3120815A, ST380815A and ST340815A	8 Mbytes
ST3160215A, ST3120215A, ST380215A and ST340215A	2 Mbytes

2.6 Seek time

Seek measurements are taken with nominal power at 25°C ambient temperature. All times are measured using drive diagnostics. The specifications in the table below are defined as follows:

- Track-to-track seek time is an average of all possible single-track seeks in both directions.
- Average seek time is a true statistical random average of at least 5,000 measurements of seeks between random tracks, less overhead.

*Typical seek times (msec)	Read	Write
Track-to-track	<0.8	<1.0
Average	<11.0	<12.0
Average latency:	4.16	4.16

*Measured in quiet mode

Note. These drives are designed to consistently meet the seek times represented in this manual. Physical seeks, regardless of mode (such as track-to-track and average), are expected to meet or exceed the noted values. However, due to the manner in which these drives are formatted, benchmark tests that include command overhead or measure logical seeks may produce results that vary from these specifications.

2.7 Start/stop times

Power-on to Ready (sec)	15 (max)
Standby to Ready (sec)	15 (max)
Ready to spindle stop (sec)	10 (max)

2.8 Power specifications

The drive receives DC power (+5V or +12V) through a four-pin standard drive power connector.

2.8.1 Power consumption

Power requirements for the drives are listed in the table on page 23. Typical power measurements are based on an average of drives tested, under nominal conditions, using +5.0V and +12.0V input voltage at 25°C ambient temperature.

- **Spinup power**

Spinup power is measured from the time of power-on to the time that the drive spindle reaches operating speed.

- **Seek mode**

During seek mode, the read/write actuator arm moves toward a specific position on the disc surface and does not execute a read or write operation. Servo electronics are active. Seek mode power represents the worst-case power consumption, using only random seeks with read or write latency time. This mode is not typical and is provided for worst-case information.

- **Read/write power and current**

Read/write power is measured with the heads on track, based on a 16-sector write followed by a 32-msec delay, then a 16-sector read followed by a 32-msec delay.

- **Operating power and current**

Operating power is measured using 40 percent random seeks, 40 percent read/write mode (1 write for each 10 reads) and 20 percent drive idle mode.

- **Idle mode power**

Idle mode power is measured with the drive up to speed, with servo electronics active and with the heads in a random track location.

- **Standby mode**

During Standby mode, the drive accepts commands, but the drive is not spinning, and the servo and read/write electronics are in power-down mode.

Table 9: DC power requirements

Power dissipation (4-Disc values shown)	Average (watts, 25° C)	Average 5V typ amps	Average 12V typ amps
Spinup	—	—	2.80 (peak)
Idle*	9.30	0.611	0.520
Idle with offline activity	10.40	0.719	0.567
Operating (40% r/w, 40% seek, 20% inop.)	13.00	0.772	0.762
Seeking (random, 20% idle)	12.60	0.613	0.795
Standby	0.80	0.106	0.023
Sleep	0.80	0.106	0.023

*During periods of drive idle, some offline activity may occur according to the S.M.A.R.T. specification, which may increase acoustic and power to operational levels.

2.8.1.1 Typical current profile

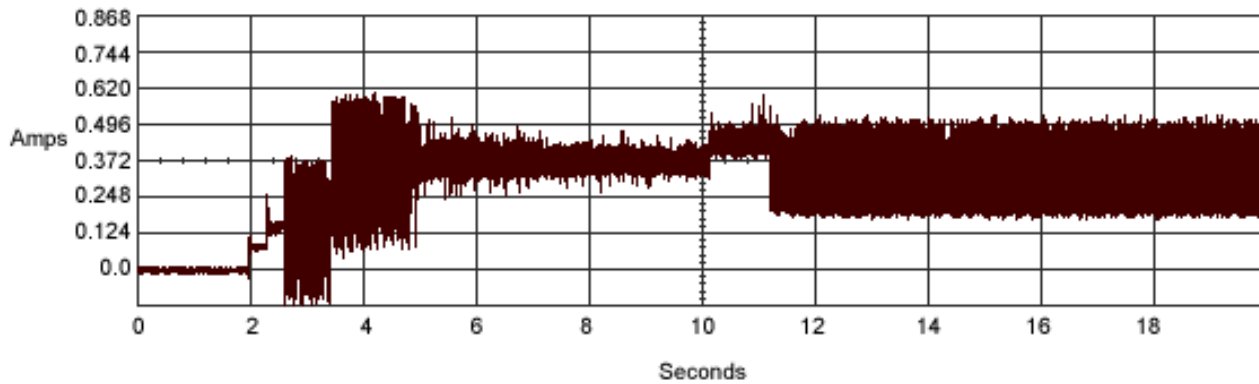


Figure 1 Typical 5V startup and operation current profile

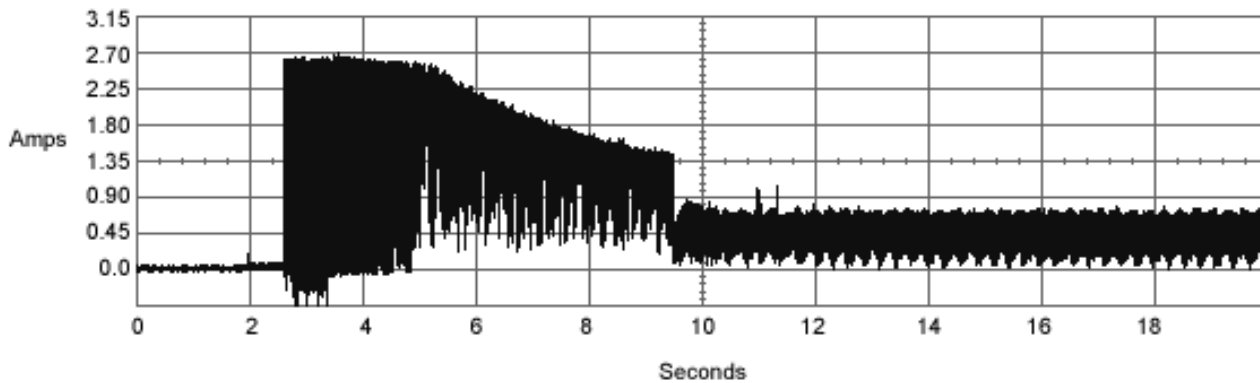


Figure 2 Typical 12V startup and operation current profile

2.8.2 Conducted noise

Input noise ripple is measured at the host system power supply across an equivalent 80-ohm resistive load on the +12 volt line or an equivalent 15-ohm resistive load on the +5 volt line.

- Using 12-volt power, the drive is expected to operate with a maximum of 120 mV peak-to-peak square-wave injected noise at up to 10 MHz.
- Using 5-volt power, the drive is expected to operate with a maximum of 100 mV peak-to-peak square-wave injected noise at up to 10 MHz.

Note. Equivalent resistance is calculated by dividing the nominal voltage by the typical RMS read/write current.

2.8.3 Voltage tolerance

Voltage tolerance (including noise):

5V ± 5%
12V ± 10%

2.8.4 Power management modes

The drive provides programmable power management to provide greater energy efficiency. In most systems, you can control power management through the system setup program. The drive features the following power management modes:

Power mode	Heads	Spindle	Buffer
Active	Tracking	Rotating	Enabled
Idle	Tracking	Rotating	Enabled
Standby	Parked	Stopped	Enabled
Sleep	Parked	Stopped	Disabled

- **Active mode**

The drive is in Active mode during the read/write and seek operations.

- **Idle mode**

The buffer remains enabled, and the drive accepts all commands and returns to Active mode any time disc access is necessary.

- **Standby mode**

The drive enters Standby mode when the host sends a Standby Immediate command. If the host has set the standby timer, the drive can also enter Standby mode automatically after the drive has been inactive for a specifiable length of time. The standby timer delay is established using a Standby or Idle command. In Standby mode, the drive buffer is enabled, the heads are parked and the spindle is at rest. The drive accepts all commands and returns to Active mode any time disc access is necessary.

- **Sleep mode**

The drive enters Sleep mode after receiving a Sleep command from the host. In Sleep mode, the drive buffer is disabled, the heads are parked and the spindle is at rest. The drive leaves Sleep mode after it receives a Hard Reset or Soft Reset from the host. After receiving a reset, the drive exits Sleep mode and enters Standby mode with all current translation parameters intact.

- **Idle and Standby timers**

Each time the drive performs an Active function (read, write or seek), the standby timer is reinitialized and begins counting down from its specified delay times to zero. If the standby timer reaches zero before any drive activity is required, the drive makes a transition to Standby mode. In both Idle and Standby mode, the drive accepts all commands and returns to Active mode when disc access is necessary.

2.9 Environmental specifications

2.9.1 Ambient temperature

Ambient temperature is defined as the temperature of the environment immediately surrounding the drive. Actual drive case temperature should not exceed 69°C (156°F) within the operating ambient conditions. Recommended measurement locations are shown in See Figure 6 on page 37.

Above 1,000 feet (305 meters), the maximum temperature is derated linearly to 112°F (44°C) at 10,000 feet (3,048 meters).

Operating:	5° to 60°C (41° to 140°F)
Nonoperating:	-40° to 70°C (-40° to 158°F)

2.9.2 Temperature gradient

Operating:	20°C per hour (68°F per hour max), without condensation
Nonoperating:	30°C per hour (86°F per hour max)

2.9.3 Humidity

2.9.3.1 Relative humidity

Operating:	5% to 90% noncondensing (30% per hour max)
Nonoperating:	5% to 95% noncondensing (30% per hour max)

2.9.3.2 Wet bulb temperature

Operating:	37.7°C (99.9°F max)
Nonoperating:	200 - 750 GB models: 37.7°C (99.9°F max) 40 - 160 GB models: 40°C (104°F max)

2.9.4 Altitude

Operating:	-60.96 m to 3,048 m (-200 ft. to 10,000+ ft.)
Nonoperating:	-60.96 m to 12,192 m (-200 ft. to 40,000+ ft.)

2.9.5 Shock

All shock specifications assume that the drive is mounted securely with the input shock applied at the drive mounting screws. Shock may be applied in the X, Y or Z axis.

2.9.5.1 Operating shock

1 and 2 Disc models

These drives comply with the performance levels specified in this document when subjected to a maximum operating shock of 63 Gs based on half-sine shock pulses of 2 msec. Shocks should not be repeated more than two times per second.

3 and 4 Disc models

These drives comply with the performance levels specified in this document when subjected to a maximum operating shock of 68 Gs based on half-sine shock pulses of 2 msec. Shocks should not be repeated more than two times per second.

2.9.5.2 Nonoperating shock

1 and 2 Disc models

The nonoperating shock level that the drive can experience without incurring physical damage or degradation in performance when subsequently put into operation is 350 Gs based on a nonrepetitive half-sine shock pulse of 2 msec duration.

3 and 4 Disc models

The nonoperating shock level that the drive can experience without incurring physical damage or degradation in performance when subsequently put into operation is 300 Gs based on a nonrepetitive half-sine shock pulse of 2 msec duration.

2.9.6 Vibration

All vibration specifications assume that the drive is mounted securely with the input vibration applied at the drive mounting screws. Vibration may be applied in the X, Y or Z axis.

2.9.6.1 Operating vibration

The following table lists the maximum vibration levels that the drive may experience while meeting the performance standards specified in this document.

5–22 Hz	0.25 Gs (Limited displacement)
22–350 Hz	0.50 Gs
350–500 Hz	0.25 Gs

2.9.6.2 Nonoperating vibration

The following table lists the maximum nonoperating vibration that the drive may experience without incurring physical damage or degradation in performance when subsequently put into operation.

5–22 Hz	0.25 Gs (limited displacement)
22–350 Hz	5.0 Gs
350–500 Hz	1.0 Gs

2.10 Acoustics

Drive acoustics are measured as overall A-weighted acoustic sound power levels (no pure tones). All measurements are consistent with ISO document 7779. Sound power measurements are taken under essentially free-field conditions over a reflecting plane. For all tests, the drive is oriented with the cover facing upward.

Note. For seek mode tests, the drive is placed in seek mode only. The number of seeks per second is defined by the following equation:

$$(\text{Number of seeks per second} = 0.4 / (\text{average latency} + \text{average access time}))$$

Table 10: Fluid Dynamic Bearing (FDB) motor acoustics

Acoustic mode		
	Idle*	Quiet seek
ST3750840A ST3750640A ST3500830A ST3500630A	2.8 bels (typ) 3.0 bels (max)	3.2 bels (typ) 3.4 bels (max)
ST3400820A ST3400620A ST3320820A ST3320620A	2.7 bels (typ) 3.0 bels (max)	3.0 bels (typ) 3.4 bels (max)
ST3300820A ST3300620A ST3250820A ST3250620A ST3200820A	2.5 bels (typ) 2.8 bels (max)	3.0 bels (typ) 3.1 bels (max)
ST3160815A ST3160215A ST3120815A ST3120215A ST380815A ST380215A ST340815A ST340215A	2.8 bels (typ) 3.0 bels (max)	3.0 bels (typ) 3.2 bels (max)

*During periods of drive idle, some offline activity may occur according to the S.M.A.R.T. specification, which may increase acoustic and power to operational levels.

2.11 Electromagnetic immunity

When properly installed in a representative host system, the drive operates without errors or degradation in performance when subjected to the radio frequency (RF) environments defined in the following table:

Table 11: Radio frequency environments

Test	Description	Performance level	Reference standard
Electrostatic discharge	Contact, HCP, VCP: ± 4 kV; Air: ± 8 kV	B	EN 61000-4-2: 95
Radiated RF immunity	80 to 1,000 MHz, 3 V/m, 80% AM with 1 kHz sine 900 MHz, 3 V/m, 50% pulse modulation @ 200 Hz	A	EN 61000-4-3: 96 ENV 50204: 95
Electrical fast transient	± 1 kV on AC mains, ± 0.5 kV on external I/O	B	EN 61000-4-4: 95
Surge immunity	± 1 kV differential, ± 2 kV common, AC mains	B	EN 61000-4-5: 95
Conducted RF immunity	150 kHz to 80 MHz, 3 Vrms, 80% AM with 1 kHz sine	A	EN 61000-4-6: 97
Voltage dips, interrupts	0% open, 5 seconds 0% short, 5 seconds 40%, 0.10 seconds 70%, 0.01 seconds	C C C B	EN 61000-4-11: 94

2.12 Reliability

2.12.1 Annualized Failure Rate (AFR) and Mean Time Between Failures (MTBF)

The product shall achieve an Annualized Failure Rate (AFR) of 0.34% (MTBF of 0.7 million hours) when operated in an environment of ambient air temperatures of 25°C. Operation at temperatures outside the specifications in Section 2.9 may increase the product AFR (decrease MTBF). AFR and MTBF are population statistics that are not relevant to individual units.

AFR and MTBF specifications are based on the following assumptions for desktop personal computer environments:

- 2400 power-on-hours per year.
- 10,000 average motor start/stop cycles per year.
- Operations at nominal voltages.
- Temperatures outside the specifications in Section 2.9 may reduce the product reliability.
- Normal I/O duty cycle for desktop personal computers. Operation at excessive I/O duty cycle may degrade product reliability.

The desktop personal computer environment of power-on-hours, temperature, and I/O duty cycle affect the product AFR and MTBF. The AFR and MTBF will be degraded if used in an enterprise application.

Nonrecoverable read errors	1 per 10 ¹⁴ bits read, max
Annualized Failure Rate (AFR)	0.34% (nominal power, 25°C ambient temperature)
Contact start-stop cycles	50,000 cycles (at nominal voltage and temperature, with 60 cycles per hour and a 50% duty cycle)
Warranty	5 years on distribution units. To determine the warranty for a specific drive, use a web browser to access the following web page: www.seagate.com/support/service/ From this page, click on the "Verify Your Warranty" link. You will be asked to provide the drive serial number, model number (or part number) and country of purchase. The system will display the warranty information for your drive.
Preventive maintenance	None required.

2.13 Agency certification

2.13.1 Safety certification

The drives are recognized in accordance with UL 1950 and CSA C22.2 (950) and meet all applicable sections of IEC950 and EN 60950.

2.13.2 Electromagnetic compatibility

Hard drives that display the CE mark comply with the European Union (EU) requirements specified in the Electromagnetic Compatibility Directive (89/336/EEC). Testing is performed to the levels specified by the product standards for Information Technology Equipment (ITE). Emission levels are defined by EN 55022, Class B and the immunity levels are defined by EN 55024.

Drives are tested in representative end-user systems. Although CE-marked Seagate drives comply with the directives when used in the test systems, we cannot guarantee that all systems will comply with the directives. The drive is designed for operation inside a properly designed enclosure, with properly shielded I/O cable (if necessary) and terminators on all unused I/O ports. Computer manufacturers and system integrators should confirm EMC compliance and provide CE marking for their products.

Korean RRL

If these drives have the Korea Ministry of Information and Communication (MIC) logo, they comply with paragraph 1 of Article 11 of the Electromagnetic Compatibility control Regulation and meet the Electromagnetic Compatibility (EMC) Framework requirements of the Radio Research Laboratory (RRL) Ministry of Information and Communication Republic of Korea.

These drives have been tested and comply with the Electromagnetic Interference/Electromagnetic Susceptibility (EMI/EMS) for Class B products. Drives are tested in a representative, end-user system by a Korean-recognized lab.

- Family name: Barracuda 7200.10
- Certificate number: STX-L3510 (B)

Australian C-Tick (N176)

If these models have the C-Tick marking, they comply with the Australia/New Zealand Standard AS/NZS3548 1995 and meet the Electromagnetic Compatibility (EMC) Framework requirements of the Australian Communication Authority (ACA).

2.13.3 FCC verification

These drives are intended to be contained solely within a personal computer or similar enclosure (not attached as an external device). As such, each drive is considered to be a subassembly even when it is individually marketed to the customer. As a subassembly, no Federal Communications Commission verification or certification of the device is required.

Seagate Technology LLC has tested this device in enclosures as described above to ensure that the total assembly (enclosure, disc drive, motherboard, power supply, etc.) does comply with the limits for a Class B computing device, pursuant to Subpart J, Part 15 of the FCC rules. Operation with noncertified assemblies is likely to result in interference to radio and television reception.

Radio and television interference. This equipment generates and uses radio frequency energy and if not installed and used in strict accordance with the manufacturer's instructions, may cause interference to radio and television reception.

This equipment is designed to provide reasonable protection against such interference in a residential installation. However, there is no guarantee that interference will not occur in a particular installation. If this equipment does cause interference to radio or television, which can be determined by turning the equipment on and off, you are encouraged to try one or more of the following corrective measures:

- Reorient the receiving antenna.
- Move the device to one side or the other of the radio or TV.
- Move the device farther away from the radio or TV.
- Plug the computer into a different outlet so that the receiver and computer are on different branch outlets.

If necessary, you should consult your dealer or an experienced radio/television technician for additional suggestions. You may find helpful the following booklet prepared by the Federal Communications Commission: *How to Identify and Resolve Radio-Television Interference Problems*. This booklet is available from the Superintendent of Documents, U.S. Government Printing Office, Washington, DC 20402. Refer to publication number 004-000-00345-4.

2.14 Environmental protection

Seagate designs its products to meet environmental protection requirements worldwide, including regulations restricting certain chemical substances.

2.14.1 European Union Restriction of Hazardous Substances (RoHS)

The European Union Restriction of Hazardous Substances (RoHS) Directive restricts the presence of chemical substances, including Lead (Pb), in electronic products effective July 2006.

A number of parts and materials in Seagate products are procured from external suppliers. We rely on the representations of our suppliers regarding the presence of RoHS substances in these parts and materials. Our supplier contracts require compliance with our chemical substance restrictions, and our suppliers document their compliance with our requirements by providing material content declarations for all parts and materials for the disc drives documented in this publication. Current supplier declarations include disclosure of the inclusion of any RoHS-regulated substance in such parts or materials.

Seagate also has internal systems in place to ensure ongoing compliance with the RoHS Directive and all laws and regulations which restrict chemical content in electronic products. These systems include standard operating procedures that ensure that restricted substances are not utilized in our manufacturing operations, laboratory analytical validation testing, and an internal auditing process to ensure that all standard operating procedures are complied with.

2.15 Corrosive environment

Seagate electronic drive components pass accelerated corrosion testing equivalent to 10 years exposure to light industrial environments containing sulfurous gases, chlorine and nitric oxide, classes G and H per ASTM B845. However, this accelerated testing cannot duplicate every potential application environment. Users should use caution exposing any electronic components to uncontrolled chemical pollutants and corrosive chemicals as electronic drive component reliability can be affected by the installation environment. The silver, copper, nickel and gold films used in Seagate products are especially sensitive to the presence of sulfide, chloride, and nitrate contaminants. Sulfur is found to be the most damaging. In addition, electronic components should never be exposed to condensing water on the surface of the printed circuit board assembly (PCBA) or exposed to an ambient relative humidity greater than 95%. Materials used in cabinet fabrication, such as vulcanized rubber, that can outgas corrosive compounds should be minimized or eliminated. The useful life of any electronic equipment may be extended by replacing materials near circuitry with sulfide-free alternatives.

3.0 Configuring and mounting the drive

This section contains the specifications and instructions for configuring and mounting the drive.

3.1 Handling and static discharge precautions

After unpacking, and before installation, the drive may be exposed to potential handling and electrostatic discharge (ESD) hazards. Observe the following standard handling and static-discharge precautions:

Caution:

- Before handling the drive, put on a grounded wrist strap, or ground yourself frequently by touching the metal chassis of a computer that is plugged into a grounded outlet. Wear a grounded wrist strap throughout the entire installation procedure.
- Handle the drive by its edges or frame *only*.
- The drive is extremely fragile—handle it with care. Do not press down on the drive top cover.
- Always rest the drive on a padded, antistatic surface until you mount it in the computer.
- Do not touch the connector pins or the printed circuit board.
- Do not remove the factory-installed labels from the drive or cover them with additional labels. Removal voids the warranty. Some factory-installed labels contain information needed to service the drive. Other labels are used to seal out dirt and contamination.

3.2 Breather filter hole precautions

This section contains information regarding the precautions which should be taken regarding the breather filter hole in Seagate hard disc drives. Proper precautions should be taken to ensure full functionality and prevent possible damage to the drive.

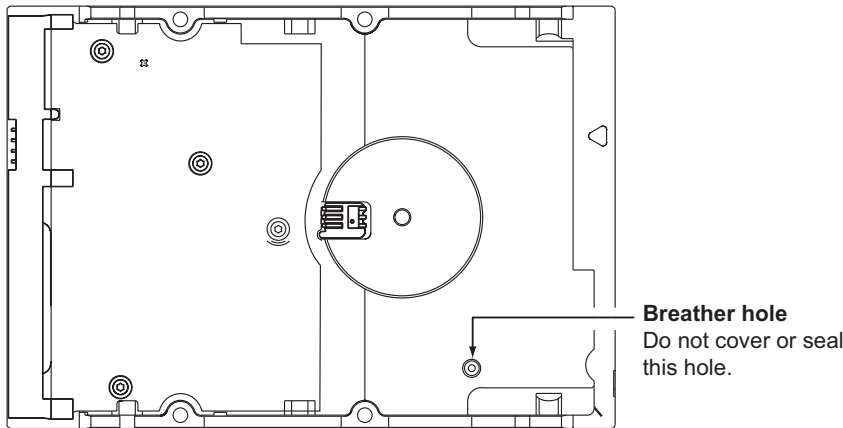


Figure 3 Breather filter hole location

Caution: Do not cover, seal, or insert any object into this hole.

This hole has two purposes:

- To allow condensation inside the hard disc to escape
- To allow air pressure inside the hard disc to equalize with ambient pressure

Note. If this hole is covered, sealed, or penetrated by any object, the drive reliability may be compromised and could lead to permanent damage. Covering or sealing this hole voids the warranty.

3.3 Jumper settings

3.3.1 Master/slave configuration

The options jumper block shown in Figure 4 is used to configure the drive for operation. It is the 8-pin dual header between the interface connector and the power connector. Use the following settings to configure the drive as a master or a slave.

Master or single drive. The drive is configured at the factory for a master or single drive operation with a jumper set on pins 7 and 8.

Drive as slave. Remove all jumpers.

Drive as master with a non-ATA-compatible slave.

Use this jumper setting *only* if the drive does not work as a master with no jumpers installed.

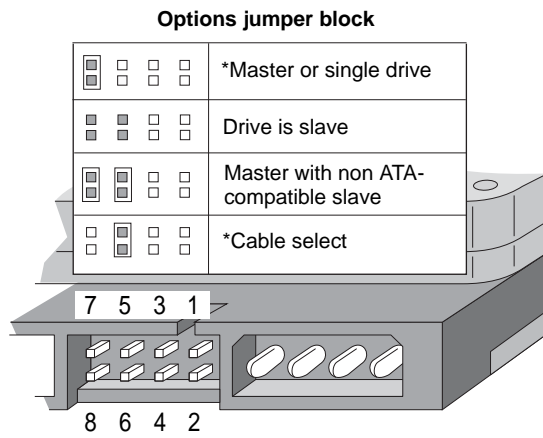


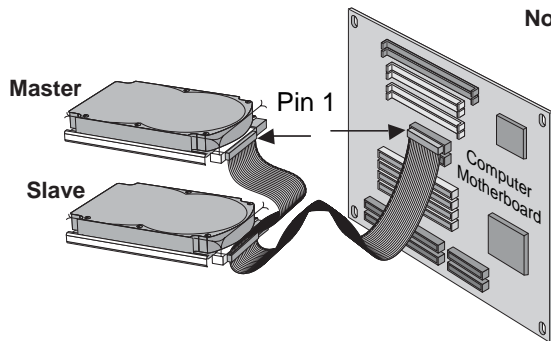
Figure 4 Master/slave jumper settings

3.3.2 Cable-select option

Computers that use cable select determine the master and slave drives by selecting or deselecting pin 28, CSEL, on the interface bus. Master and slave drives are determined by their physical position on the cable. To enable cable select, set a jumper on pins 5 and 6 as shown in Figure 4. Refer to your computer manual to determine whether your computer supports this option.

3.3.3 Ultra ATA/100 cable

An 80-conductor 40-pin cable is required to run Ultra DMA mode 3, mode 4, and mode 5. This cable uses even-numbered conductors connected to the ground pins to improve signal integrity.



Note. If you are using a 40-pin, 80-conductor cable, attach the blue connector to the motherboard, the black connector to the master drive, and the gray connector to the slave.

Figure 5 Ultra ATA cable connectors

Note. The drive supports both host and drive cable detection. The host detects the 80-conductor cable by sampling pin 34, CBLID-, on the interface bus. The drive detects the 80-conductor cable by sensing a capacitor at the host side through the CBLID- signal. The result is reported in a Fast Rise Detected bit (bit 13 of word 93 in the Identify drive parameter block).

3.4 Drive mounting

You can mount the drive in any orientation using four screws in the side-mounting holes or four screws in the bottom-mounting holes. See Figure 6 for drive mounting dimensions. Follow these important mounting precautions when mounting the drive:

- Allow a minimum clearance of 0.030 inches (0.76 mm) around the entire perimeter of the drive for cooling.
- Use only 6-32 UNC mounting screws.
- Do not overtighten the mounting screws (maximum torque: 6 inch-lb.).
- Do not use a drive interface cable that is more than 18 inches long.

Notes:

- 1. Dimensions are shown in inches (mm).
- 2. Dimensions per SFF-8301 specification.

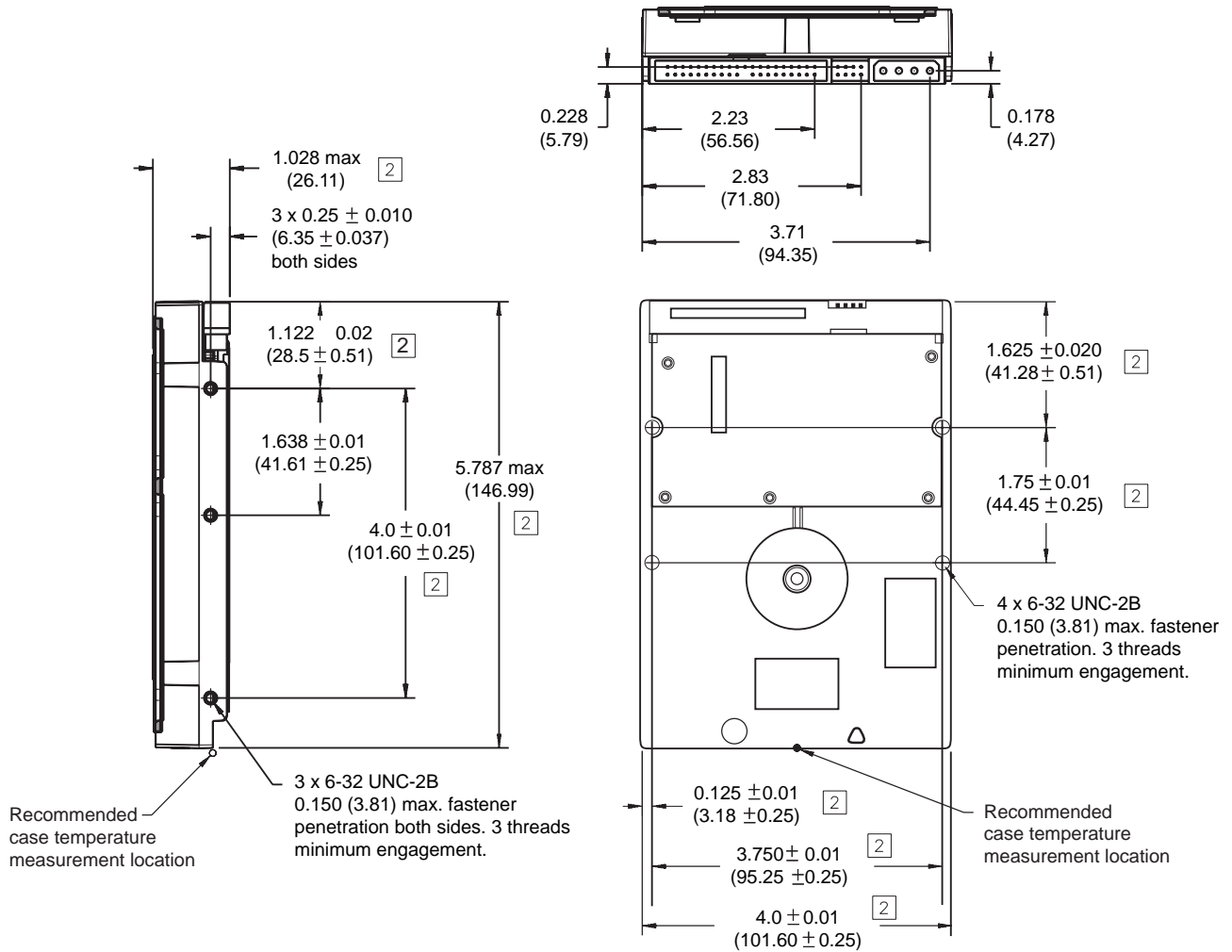


Figure 6 Mounting dimensions for 200-750 GB models

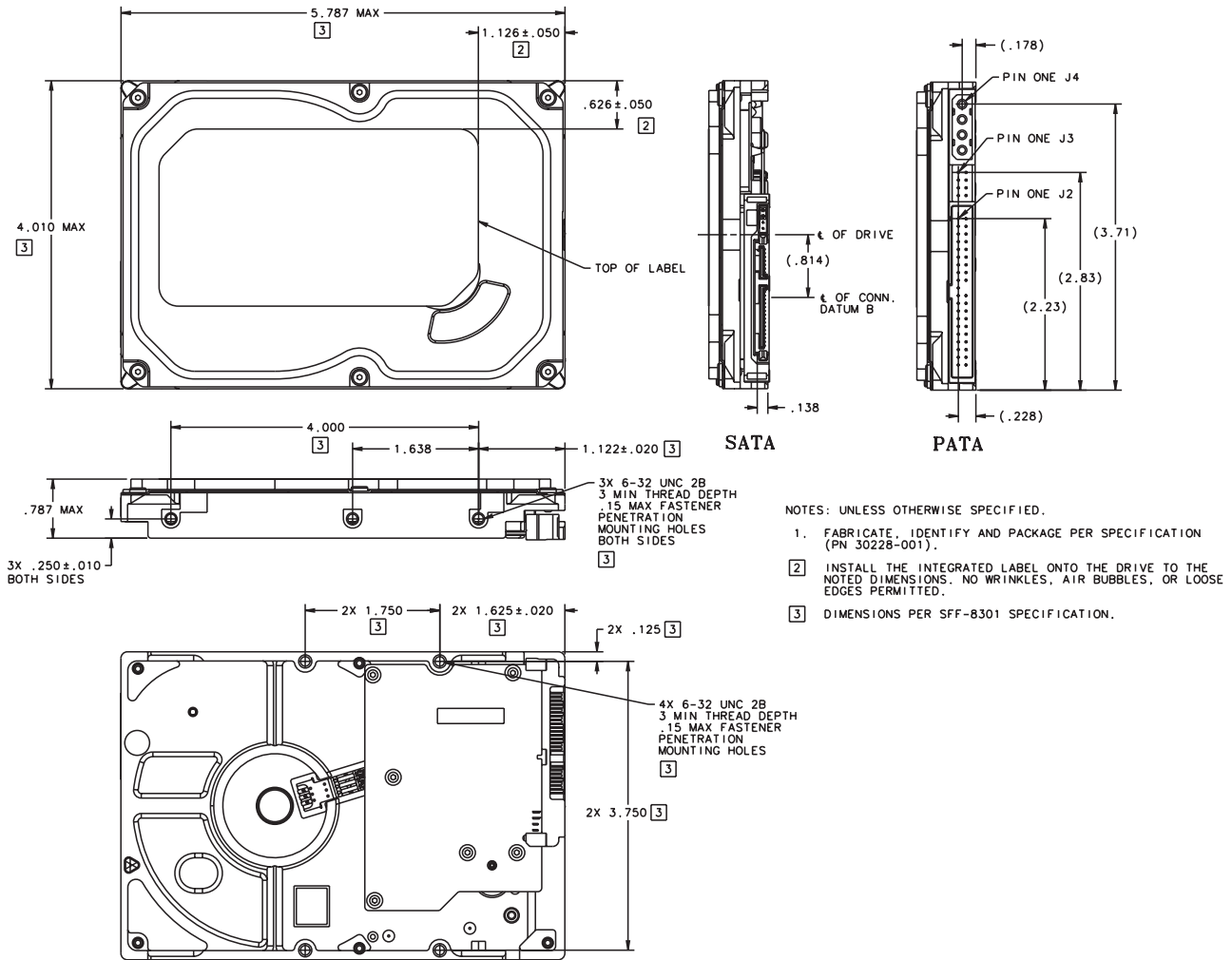


Figure 7 Mounting dimensions for 40-160 GB models

4.0 ATA interface

These drives use the industry-standard ATA task file interface that supports 16-bit data transfers. It supports ATA programmed input/output (PIO) modes 0–4; multiword DMA modes 0–2, and Ultra DMA modes 0–5. The drive also supports the use of the IORDY signal to provide reliable high-speed data transfers.

You can use a daisy-chain cable to connect two drives to a single AT host bus. For detailed information about the ATA interface, refer to the draft of *AT Attachment with Packet Interface Extension (ATA/ATAPI-7)*, *NCITS T13 1410D*, subsequently referred to as the *Draft ATA-7 Standard*.

4.1 ATA interface signals and connector pins

Figure 8 on page 39 summarizes the signals on the ATA interface connector that the drive supports. For a detailed description of these signals, refer to the *Draft ATA-7 Standard*.

Drive pin #	Signal name	Host pin # and signal description
1	Reset-	1 Hardware Reset
2	Ground	2 Ground
3	DD7	3 Host Data Bus Bit 7
4	DD8	4 Host Data Bus Bit 8
5	DD6	5 Host Data Bus Bit 6
6	DD9	6 Host Data Bus Bit 9
7	DD5	7 Host Data Bus Bit 5
8	DD10	8 Host Data Bus Bit 10
9	DD4	9 Host Data Bus Bit 4
10	DD11	10 Host Data Bus Bit 11
11	DD3	11 Host Data Bus Bit 3
12	DD12	12 Host Data Bus Bit 12
13	DD2	13 Host Data Bus Bit 2
14	DD13	14 Host Data Bus Bit 13
15	DD1	15 Host Data Bus Bit 1
16	DD14	16 Host Data Bus Bit 14
17	DD0	17 Host Data Bus Bit 0
18	DD15	18 Device Data (15:0)
19	Ground	19 Ground
20	(removed)	20 (No Pin)
21	DMARQ	21 DMA Request
22	Ground	22 Ground
23	DIOW-	23 Device I/O Write:
	STOP	Stop Ultra DMA Burst
24	Ground	24 Ground
25	DIOR-	25 Device I/O Read:
	HDMARDY-	Host Ultra DMA Ready:
	HSTROBE	Host Ultra DMA Data Strobe
26	Ground	26 Ground
27	IORDY	27 I/O Channel Ready
	DDMARDY-	Device Ultra DMA Ready
	DSTROBE	Device Ultra DMA Data Strobe
28	CSEL	28 Cable Select
29	DMACK-	29 DMA Acknowledge
30	Ground	30 Ground
31	INTRQ	31 Device Interrupt
32	IOCS16-	32 Reserved
33	DA1	33 Host Address Bus Bit 1
34	PDIAG-	34 Passed Diagnostics
	CBLID-	Cable Assembly Type Identifier
35	DA0	35 Device Address (2:0)
36	DA2	36 Device Address (2:0)
37	CS0-	37 Chip Select (1:0)
38	CS1-	38 Chip Select (1:0)
39	DASP-	39 Drive Active/Slave Present
40	Ground	40 Ground

Pins 28, 34 and 39 are used for master-slave communication (details shown below).

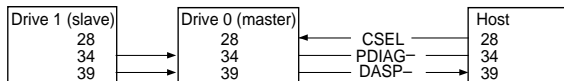


Figure 8 I/O pins and supported ATA signals

4.1.1 Supported ATA commands

The following table lists ATA-standard commands that the drive supports. For a detailed description of the ATA commands, refer to the *Draft ATA-7 Standard*. See “S.M.A.R.T. commands” on page 46 for details and sub-commands used in the S.M.A.R.T. implementation.

Table 12: Supported ATA commands

Command name	Command code (in hex)
Check Power Mode	98 _H or E5 _H
Device Configuration Freeze Lock	B1 _H / C1 _H
Device Configuration Identify	B1 _H / C2 _H
Device Configuration Restore	B1 _H / C0 _H
Device Configuration Set	B1 _H / C3 _H
Device Reset	08 _H
Download Microcode	92 _H
Execute Device Diagnostics	90 _H
Flush Cache	E7 _H
Flush Cache Extended	EA _H
Format Track	50 _H
Identify Device	EC _H
Idle	97 _H or E3 _H
Idle Immediate	95 _H or E1 _H
Initialize Device Parameters	91 _H
Read Buffer	E4 _H
Read DMA	C8 _H
Read DMA Extended	25 _H
Read DMA Without Retries	C9 _H
Read Log Ext	2F _H
Read Multiple	C4 _H
Read Multiple Extended	29 _H
Read Native Max Address	F8 _H
Read Native Max Address Extended	27 _H
Read Sectors	20 _H
Read Sectors Extended	24 _H
Read Sectors Without Retries	21 _H
Read Verify Sectors	40 _H
Read Verify Sectors Extended	42 _H
Read Verify Sectors Without Retries	41 _H
Recalibrate	10 _H
Security Disable Password	F6 _H
Security Erase Prepare	F3 _H

Command name	Command code (in hex)
Security Erase Unit	F4 _H
Security Freeze	F5 _H
Security Set Password	F1 _H
Security Unlock	F2 _H
Seek	70 _H
Set Features	EF _H
Set Max Address Note: Individual Set Max Address commands are identified by the value placed in the Set Max Features register as defined to the right.	F9 _H Address: 00 _H Password: 01 _H Lock: 02 _H Unlock: 03 _H Freeze Lock: 04 _H
Set Max Address Extended	37 _H
Set Multiple Mode	C6 _H
Sleep	99 _H or E6 _H
S.M.A.R.T. Disable Operations	B0 _H / D9 _H
S.M.A.R.T. Enable/Disable Autosave	B0 _H / D2 _H
S.M.A.R.T. Enable Operations	B0 _H / D8 _H
S.M.A.R.T. Execute Offline	B0 _H / D4 _H
S.M.A.R.T. Read Attribute Thresholds	B0 _H / D1 _H
S.M.A.R.T. Read Data	B0 _H / D0 _H
S.M.A.R.T. Read Log Sector	B0 _H / D5 _H
S.M.A.R.T. Return Status	B0 _H / DA _H
S.M.A.R.T. Save Attribute Values	B0 _H / D3 _H
S.M.A.R.T. Write Log Sector	B0 _H / D6 _H
Standby	96 _H or E2 _H
Standby Immediate	94 _H or E0 _H
Write Buffer	E8 _H
Write DMA	CA _H
Write DMA Extended	35 _H
Write DMA Without Retries	CB _H
Write Log Extended	3F _H
Write Multiple	C5 _H
Write Multiple Extended	39 _H
Write Sectors	30 _H
Write Sectors Without Retries	31 _H
Write Sectors Extended	34 _H

4.1.2 Identify Device command

The Identify Device command (command code EC_H) transfers information about the drive to the host following power up. The data is organized as a single 512-byte block of data, whose contents are shown in the Table 12 on page 40. All reserved bits or words should be set to zero. Parameters listed with an “x” are drive-specific or vary with the state of the drive. See Section 2.0 on page 3 for default parameter settings.

The following commands contain drive-specific features that may not be included in the *Draft ATA-7 Standard*.

Word	Description	Value
0	Configuration information: <ul style="list-style-type: none"> • Bit 15: 0 = ATA; 1 = ATAPI • Bit 7: removable media • Bit 6: removable controller • Bit 0: reserved 	0C5A _H
1	Number of logical cylinders	16,383
2	ATA-reserved	0000 _H
3	Number of logical heads	16
4	Retired	0000 _H
5	Retired	0000 _H
6	Number of logical sectors per logical track: 63	003F _H
7–9	Retired	0000 _H
10–19	Serial number: (20 ASCII characters, 0000 _H = none)	ASCII
20	Retired	0000 _H
21	Retired	0400 _H
22	Obsolete	0000 _H
23–26	Firmware revision (8 ASCII character string, padded with blanks to end of string)	x.xx
27–46	Drive model number (40 ASCII characters, padded with blanks to end of string)	ST3xxxxxA
47	(Bits 7–0) Maximum sectors per interrupt on Read multiple and Write multiple (16)	8010 _H
48	Reserved	0000 _H
49	Standard Standby timer, IORDY supported and may be disabled	2F00 _H
50	ATA-reserved	0000 _H
51	PIO data-transfer cycle timing mode	0200 _H
52	Retired	0200 _H
53	Words 54–58, 64–70 and 88 are valid	0007 _H
54	Number of current logical cylinders	xxxx _H
55	Number of current logical heads	xxxx _H
56	Number of current logical sectors per logical track	xxxx _H
57–58	Current capacity in sectors	xxxx _H
59	Number of sectors transferred during a Read Multiple or Write Multiple command	xxxx _H

Word	Description	Value
60–61	Total number of user-addressable LBA sectors available (see Section 2.2 for related information) *Note: The maximum value allowed in this field is: 0FFFFFFFh (268,435,455 sectors, 137 Gbytes). Drives with capacities over 137 Gbytes will have 0FFFFFFFh in this field and the actual number of user-addressable LBAs specified in words 100-103. This is required for drives that support the 48-bit addressing feature.	0FFFFFFFh* ST3120815A = 234,441,648 ST3120215A = 234,441,648 ST380815A = 156,301,488 ST380215A = 156,301,488 ST340815A = 78,165,360 ST340215A = 78,165,360
62	Retired	0000 _H
63	Multiword DMA active and modes supported (see note following this table)	xx07 _H
64	Advanced PIO modes supported (modes 3 and 4 supported)	0003 _H
65	Minimum multiword DMA transfer cycle time per word (120 nsec)	0078 _H
66	Recommended multiword DMA transfer cycle time per word (120 nsec)	0078 _H
67	Minimum PIO cycle time without IORDY flow control (240 nsec)	00F0 _H
68	Minimum PIO cycle time with IORDY flow control (120 nsec)	0078 _H
69–74	ATA-reserved	0000 _H
75	Queue depth	0000 _H
76–79	SATA-specific	xxxx _H
80	Major version number	007E _H
81	Minor version number	0000 _H
82	Command sets supported	346B _H
83	Command sets supported	7D01 _H
84	Command sets support extension	4003 _H
85	Command sets enabled	34xx _H
86	Command sets enabled	3xxx _H
87	Command sets enable extension	4003 _H
88	Ultra DMA support and current mode (see note following this table)	xx3F _H
89	Security erase time	0000 _H
90	Enhanced security erase time	0000 _H
92	Master password revision code	FFFE _H
93	Hardware reset value (see description following this table)	xxxx _H
95–99	ATA-reserved	0000 _H

Word	Description	Value
100–103	Total number of user-addressable LBA sectors available (see Section 2.2 for related information). These words are required for drives that support the 48-bit addressing feature. Maximum value: 0000FFFFFFFFFh.	ST3750840A = 1,465,149,168 ST3750640A = 1,465,149,168 ST3500830A = 976,773,168 ST3500630A = 976,773,168 ST3400820A = 781,422,768 ST3400620A = 781,422,768 ST3320820A = 625,142,448 ST3320620A = 625,142,448 ST3300820A = 586,072,368 ST3300620A = 86,072,368 ST3250820A = 488,397,168 ST3250620A = 488,397,168 ST3200820A = 390,721,968 ST3160815A = 312,581,808 ST3160215A = 312,581,808 ST3120815A = 234,441,648 ST3120215A = 234,441,648 ST380815A = 156,301,488 ST380215A = 156,301,488 ST340815A = 78,165,360 ST340215A = 78,165,360
104–127	ATA-reserved	0000 _H
128	Security status	0001 _H
129–159	Seagate-reserved	xxxx _H
160–254	ATA-reserved	0000 _H
255	Integrity word	xxA5 _H

Note. Advanced Power Management (APM) and Automatic Acoustic Management (AAM) features are not supported

Note. See the bit descriptions below for words 63, 88, and 93 of the Identify Drive data:

Description (if bit is set to 1)		
	Bit	Word 63
	0	Multiword DMA mode 0 is supported.
	1	Multiword DMA mode 1 is supported.
	2	Multiword DMA mode 2 is supported.
	8	Multiword DMA mode 0 is currently active.
	9	Multiword DMA mode 1 is currently active.
	10	Multiword DMA mode 2 is currently active.
	Bit	Word 88
	0	Ultra DMA mode 0 is supported.
	1	Ultra DMA mode 1 is supported.
	2	Ultra DMA mode 2 is supported.
	3	Ultra DMA mode 3 is supported.
	4	Ultra DMA mode 4 is supported.
	5	Ultra DMA mode 5 is supported.
	8	Ultra DMA mode 0 is currently active.
	9	Ultra DMA mode 1 is currently active.

	10	Ultra DMA mode 2 is currently active.
	11	Ultra DMA mode 3 is currently active.
	12	Ultra DMA mode 4 is currently active.
	13	Ultra DMA mode 5 is currently active.
	Bit	Word 93
	13	1 = 80-conductor cable detected, CBLID above V _{IH} 0 = 40-conductor cable detected, CBLID below V _{IL}

4.1.3 Set Features command

This command controls the implementation of various features that the drive supports. When the drive receives this command, it sets BSY, checks the contents of the Features register, clears BSY and generates an interrupt. If the value in the register does not represent a feature that the drive supports, the command is aborted. Power-on default has the read look-ahead and write caching features enabled. The acceptable values for the Features register are defined as follows:

02 _H	Enable write cache (<i>default</i>).
03 _H	Set transfer mode (based on value in Sector Count register). Sector Count register values:
00 _H	Set PIO mode to default (PIO mode 2).
01 _H	Set PIO mode to default and disable IORDY (PIO mode 2).
08 _H	PIO mode 0
09 _H	PIO mode 1
0A _H	PIO mode 2
0B _H	PIO mode 3
0C _H	PIO mode 4 (<i>default</i>)
20 _H	Multiword DMA mode 0
21 _H	Multiword DMA mode 1
22 _H	Multiword DMA mode 2
40 _H	Ultra DMA mode 0
41 _H	Ultra DMA mode 1
42 _H	Ultra DMA mode 2
43 _H	Ultra DMA mode 3
44 _H	Ultra DMA mode 4
45 _H	Ultra DMA mode 5
55 _H	Disable read look-ahead (read cache) feature.
82 _H	Disable write cache.
AA _H	Enable read look-ahead (read cache) feature (<i>default</i>).
F1 _H	Report full capacity available

Note. At power-on, or after a hardware or software reset, the default values of the features are as indicated above.

4.1.4 S.M.A.R.T. commands

S.M.A.R.T. provides near-term failure prediction for disc drives. When S.M.A.R.T. is enabled, the drive monitors predetermined drive attributes that are susceptible to degradation over time. If self-monitoring determines that a failure is likely, S.M.A.R.T. makes a status report available to the host. Not all failures are predictable. S.M.A.R.T. predictability is limited to the attributes the drive can monitor. For more information on S.M.A.R.T. commands and implementation, see the *Draft ATA-7 Standard*.

SeaTools diagnostic software activates a built-in drive self-test (DST S.M.A.R.T. command for D4_H) that eliminates unnecessary drive returns. The diagnostic software ships with all new drives and is also available at: <http://seatools.seagate.com>.

This drive is shipped with S.M.A.R.T. features disabled. You must have a recent BIOS or software package that supports S.M.A.R.T. to enable this feature. The table below shows the S.M.A.R.T. command codes that the drive uses.

Code in features register	S.M.A.R.T. command
D0 _H	S.M.A.R.T. Read Data
D2 _H	S.M.A.R.T. Enable/Disable Attribute Autosave
D3 _H	S.M.A.R.T. Save Attribute Values
D4 _H	S.M.A.R.T. Execute Off-line Immediate (runs DST)
D5 _H	S.M.A.R.T. Read Log Sector
D6 _H	S.M.A.R.T. Write Log Sector
D8 _H	S.M.A.R.T. Enable Operations
D9 _H	S.M.A.R.T. Disable Operations
DA _H	S.M.A.R.T. Return Status

Note. If an appropriate code is not written to the Features Register, the command is aborted and 0x04 (abort) is written to the Error register.

5.0 Seagate Technology support services

Internet

For information regarding Seagate products and services, visit www.seagate.com. Worldwide support is available 24 hours daily by email for your questions.

Presales Support:

Presales@Seagate.com

Technical Support:

DiscSupport@Seagate.com

Warranty Support:

<http://www.seagate.com/support/service/index.html>

mySeagate

my.seagate.com is the industry's first Web portal designed specifically for OEMs and distributors. It provides self-service access to critical applications, personalized content and the tools that allow our partners to manage their Seagate account functions. Submit pricing requests, orders and returns through a single, password-protected Web interface-anytime, anywhere in the world.

spp.seagate.com

spp.seagate.com supports Seagate resellers with product information, program benefits and sales tools. You may register for customized communications that are not available on the web. These communications contain product launch, EOL, pricing, promotions and other channel-related information. To learn more about the benefits or to register, go to spp.seagate.com, any time, from anywhere in the world.

Seagate Service Centers

Presales Support

Our Presales Support staff can help you determine which Seagate products are best suited for your specific application or computer system, as well as product availability and compatibility.

Technical Support

Seagate technical support is available to assist you online at support.seagate.com or through one of our call centers. Have your system configuration information and your "ST" model number available.

SeaTDD™ (+1-405-324-3655) is a telecommunications device for the deaf (TDD). You can send questions or comments 24 hours daily and exchange messages with a technical support specialist during normal business hours for the call center in your region.

Customer Service Operations

Warranty Service

Seagate offers worldwide customer support for Seagate products. Seagate distributors, OEMs and other direct customers should contact their Seagate Customer Service Operations (CSO) representative for warranty-related issues. Resellers or end users of drive products should contact their place of purchase or Seagate warranty service for assistance. Have your serial number and model or part number available.

Data Recovery Services

Seagate offers data recovery services for all formats and all brands of storage media. Our data recovery services labs are currently located throughout the world. . Additional information, including an online request form and data loss prevention resources, is available at <http://services.seagate.com/index.aspx>

Authorized Service Centers

Seagate Service Centers are available on a global basis for the return of defective products. Contact your customer support representative for the location nearest you.

USA/Canada/Latin America support services

For an extensive list of telephone numbers to technical support, presales and warranty service in USA/Canada/Latin America, including business hours, go to the "Contact Us" page on www.seagate.com.

Global Customer Support

Presales, Technical, and Warranty Support

Call Center	Toll-free	Direct dial
USA, Canada, and Mexico	1-800-SEAGATE	+1-405-324-4700

Data Recovery Services

Call Center	Toll-free	Direct dial	FAX
USA, Canada, and Mexico	1-800-475-01435	+1-905-474-2162	1-800-475-0158 +1-905-474-2459

Europe, the Middle East and Africa Support Services

For an extensive list of telephone numbers to technical support, presales and warranty service in Europe, the Middle East and Africa, go to the "Contact Us" page on www.seagate.com.

Asia/Pacific Support Services

For an extensive list of telephone numbers to technical support, presales and warranty service in Asia/Pacific, go to the "Contact Us" page on www.seagate.com.

Index

A

acoustics 28
Active mode 25
AFR 30
agency certification (regulatory) 30
altitude 26
ambient conditions 3
ambient temperature 22, 26
Annualized Failure Rate 30
Annualized Failure Rate (AFR) 30
areal density 1, 21
ATA interface 39
ATA-standard commands 40
Australian C-Tick 31
autodetection 1
average seek time 22

B

BPI 21
breather filter hole precautions 34
burst 1

C

cable 36
cable select 1
cable-select option 35
cache 1
case temperature 26
CE mark 30
certification 30
Check Power Mode 40
commands 40
conducted noise 24
conducted RF immunity 29
configuring the drive 33
connector pins 39
connectors 36
Corrosive environment 32
CSA C22.2 (950) 30
CSEL 35
C-Tick 31
current profile 24
cycles 30

D

data-transfer rates 1
DC power 22
density 21
Device Configuration Freeze Lock 40
Device Configuration Identify 40

Device Configuration Restore 40
Device Configuration Set 40
Device Reset 40
diagnostic software 1, 46
dissipation 23
Download Microcode 40
drive diagnostics 22
drive monitoring 1
drive self-test 1, 46
DST 46
duty cycle 30

E

electrical fast transient 29
electromagnetic compatibility 30
Electromagnetic Compatibility Directive 30
electromagnetic immunity 29
electrostatic discharge 29
EMC compliance 30
EN 60950 30
enclosures 31
environmental specifications 26
EPRML 21
error-correction algorithms 1
errors 30
European Union 30
Execute Device Diagnostics 40

F

failure prediction 46
FCC verification 31
Features register 45
Flush Cache 40
Flush Cache Extended 40
Format Track 40
formatted capacity 20
frequency 29

G

guaranteed sectors 20

H

handling 33
heads 1
height 21
humidity 26

I

I/O data-transfer rate 21
I/O duty cycle 30
Identify Device 40
Identify Device command 42
Idle 40

- Idle and Standby timers 25
- Idle Immediate 40
- Idle mode 25
- Idle mode power 23
- IEC950 30
- Information Technology Equipment 30
- Initialize Device Parameters 40
- interface 21, 39
- interface signals 39
- interference 31
- internal data-transfer rate OD 21
- ISO document 7779 28

J

- jumper settings 35

K

- Korean RRL 31

L

- LBA mode 20
- length 21
- logical geometry 20

M

- maintenance 30
- master 35
- master/slave 1
- Master/slave configuration 35
- maximum temperature 26
- Mean Time Between Failures 30
- measurement locations 26
- modes 39
- monitoring 1
- mounting the drive 33, 36
- MTBF 30

N

- noise 24
- nominal power 3
- nonoperating shock 27
- nonoperating vibration 27
- Nonrecoverable read errors 30

O

- operating power and current 22
- operating shock 27
- operating vibration 27
- orientation 36

P

- physical characteristics 21

- pins 39
- PIO 39
- power consumption 22
- power dissipation 23
- power management 25
- power specifications 22
- power-management modes 25
- Power-on to Ready 22
- power-on-hours 30
- precautions 36
- programmable power management 25

R

- radiated RF immunity 29
- radio and television interference 31
- radio frequency 29
- random track location 23
- Read Buffer 40
- Read DMA 40
- Read DMA Extended 40
- Read DMA without Retries 40
- read errors 30
- Read Log Ext 40
- Read Multiple 1, 40
- Read Multiple Extended 40
- Read Native Max Address 40
- Read Native Max Address Extended 40
- Read Sectors 40
- Read Sectors Extended 40
- Read Sectors Without Retries 40
- Read Verify Sectors 40
- Read Verify Sectors Extended 40
- Read Verify Sectors Without Retries 40
- read/write power and current 22
- Recalibrate 40
- recording and interface technology 21
- recording density 21
- recording heads 1
- recording method 21
- register 45
- relative humidity 26
- reliability 30
- resistance 24
- resistive load 24
- RF 29
- RoHS 32

S

- S.M.A.R.T. commands 46
- S.M.A.R.T. Disable Operations 41
- S.M.A.R.T. drive monitoring 1
- S.M.A.R.T. Enable Operations 41
- S.M.A.R.T. Enable/Disable Autosave 41
- S.M.A.R.T. Execute Offline 41

- S.M.A.R.T. Read Attribute Thresholds 41
- S.M.A.R.T. Read Data 41
- S.M.A.R.T. Read Log Sector 41
- S.M.A.R.T. Return Status 41
- S.M.A.R.T. Save Attribute Values 41
- S.M.A.R.T. Write Log sector 41
- safety certification 30
- screws 36
- SeaTools 1, 46
- sectors 20
- Security Disable Password 40
- Security Erase Prepare 40
- Security Erase Unit 41
- Security Freeze 41
- Security Set Password 41
- Security Unlock 41
- Seek 41
- seek mode 22
- seek time 22
- Seeking 23
- servo electronics 23
- Set Features 41
- Set Features command 45
- Set Max Address 41
- Set Max Address Extended 41
- Set Multiple Mode 41
- shock 27
- signals 39
- single-track seeks 22
- slave 35
- Sleep 23, 41
- Sleep mode 25
- sound 28
- specifications 3
- spindle speed 21
- Spinup 23
- spinup power 22
- Standby 23, 41
- Standby Immediate 41
- Standby mode 23, 25
- Standby to Ready 22
- start/stop times 22
- start-stop cycles 30
- static-discharge precautions 33
- stop times 22
- subassembly 31
- support services 47
- surge immunity 29

T

- technical support services 47
- temperature 26
- temperature gradient 26
- timers 25
- track density 21

- track-to-track seek time 22

U

- UL 1950 30
- Ultra ATA/100 36
- Ultra DMA 36

V

- vibration 27
- voltage 25
- voltage dips, interrupts 29
- voltage tolerance 25

W

- Warranty 30
- weight 21
- wet bulb temperature 26
- width 21
- Write Buffer 41
- Write DMA 41
- Write DMA Extended 41
- Write DMA Without Retries 41
- Write Log Extended 41
- Write Multiple 1, 41
- Write Multiple Extended 41
- Write Sectors 41
- Write Sectors Extended 41
- Write Sectors Without Retries 41



Seagate Technology LLC
920 Disc Drive, Scotts Valley, California 95066-4544, USA
Publication Number: 100402369, Rev. F, Printed in U.S.A.